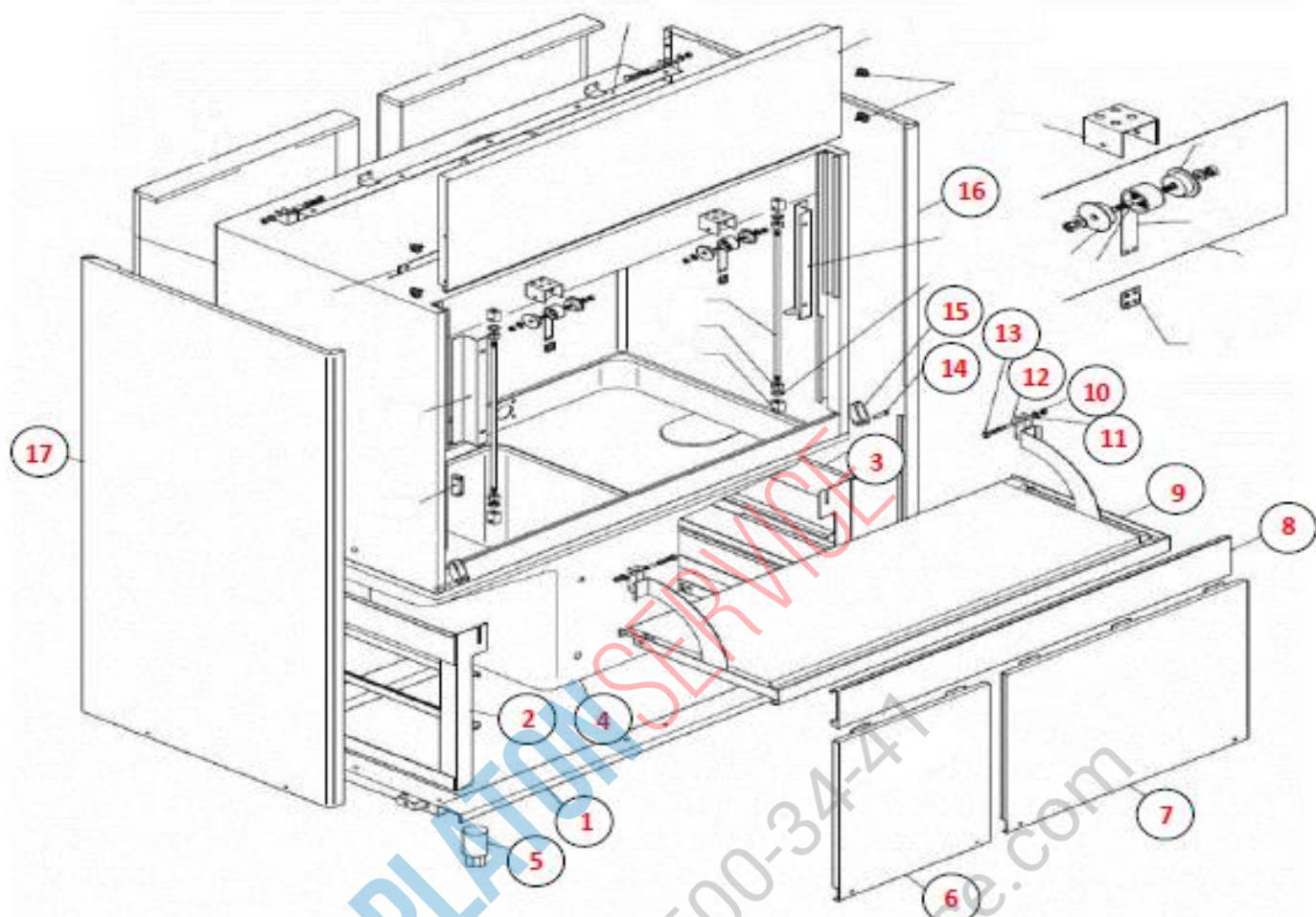


| POS | CODE | DESCRIPTION | DESCRIPTION | QTA |
|-----|--------|---------------|---------------|-----|
| 1 | P1 (4) | PANNELLERIA | FRAME | 1 |
| 2 | P1 (5) | PANNELLERIA | FRAME | 1 |
| 3 | P2 (2) | RISCIACQUO | RINSE | 1 |
| 4 | P3 (4) | LAVAGGIO | WASH | 1 |
| 5 | P3 (5) | LAVAGGIO | WASH | 1 |
| 6 | P4 (3) | GIRANTI | ARMS | 1 |
| 7 | P5 (2) | CABLAGGIO | WIRING | 1 |
| 8 | P6 | DOSATORE | CHEMICAL PUMP | 1 |
| 9 | O2 (2) | HY-NRG | HY-NRG | 1 |
| 10 | O4 (2) | POMPA SCARICO | DRAIN PUMP | 1 |

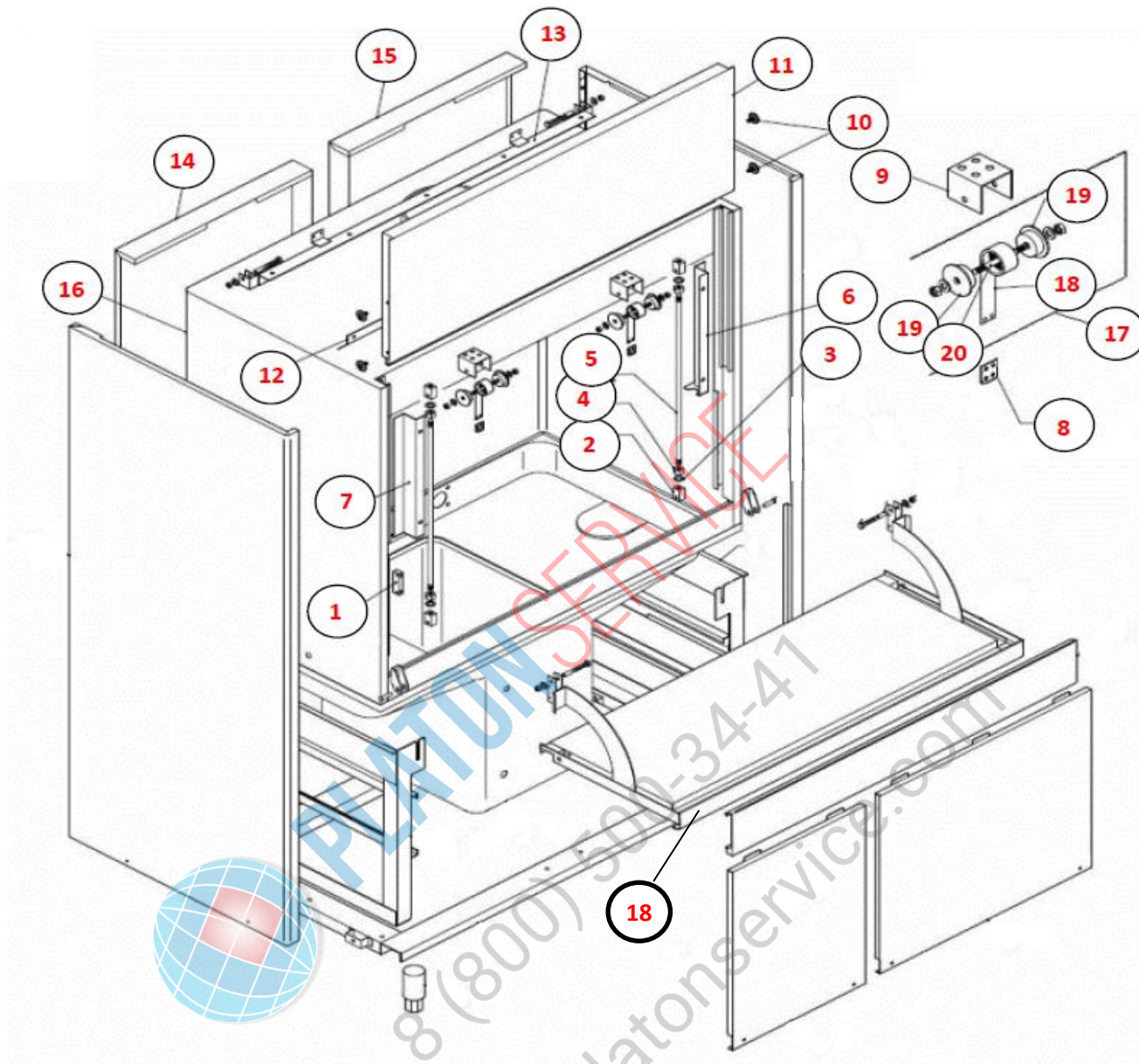


| POS | CODE | DESCRIZIONE | DESCRIPTION | NR |
|-----|--------|---|--------------------------------|----|
| 1 | TR3654 | BASAMENTO LPN109 | BASEMENT LPN109 | 1 |
| 2 | TR3668 | SUPP. VASCA SX LPN109 | TANK SUPPORT LH LPN109 | 1 |
| 3 | TR3669 | SUPP. VASCA DX LPN109 | TANK SUPPORT RH LPN109 | 1 |
| 4 | TR3601 | VASCA LPN109 | TANK LPN109 | 1 |
| 5 | TR0861 | PIEDE 1"1/2" | LEG 1"1/2" | 4 |
| 6 | 953421 | PANN. FRONT. COM. LP109 EVO2 | FRONT PANEL COM. LP109 EVO2 | 1 |
| 7 | TR3703 | PANN. FRONT. LPN109 | FRONT PANEL LPN109 | 1 |
| 8 | TR3663 | PANN. FRONT. SUP. LPN109 | UPPER FRONT PANEL LPN109 | 1 |
| 9 | TR3664 | PORTA INF. LPN109 COMPL. | LOWER DOOR LPN109 COMPL. | 1 |
| 10 | 902019 | DADO ATB 8 | NUT ATB 8 | 4 |
| 11 | 906040 | RONDELLA Ø8 P. | WASHER Ø8 P. | 4 |
| 12 | TR0930 | TUBETTO PASSANTE TIRANTE PORTA LP67-109 | THROUGH HOSE DOOR ROD LP67-109 | 4 |
| 13 | 907835 | VITE TE 8X40 | HEXAGON-HEAD SCREW 8X40 | 4 |
| 14 | TR2446 | PERNO PORTA LP/LPN | DOOR PIVOT LP/LPN | 2 |
| 15 | TR3632 | CERNIERA PORTA LPN67/LPN109 | DOOR HINGE LPN67/LPN109 | 2 |
| 16 | TR2243 | PANN. LAT. LP109 DX H=850MM | RH SIDE PANEL LP109 H=850MM | 1 |
| 17 | TR2242 | PANNT. LAT. LP109 SX H=850MM | LH SIDE PANEL LP109 H=850MM | 1 |
| | | | | |
| | | | | |
| | | | | |
| | | | | |
| | | | | |
| | | | | |
| | | | | |
| | | | | |
| | | | | |
| | | | | |
| | | | | |

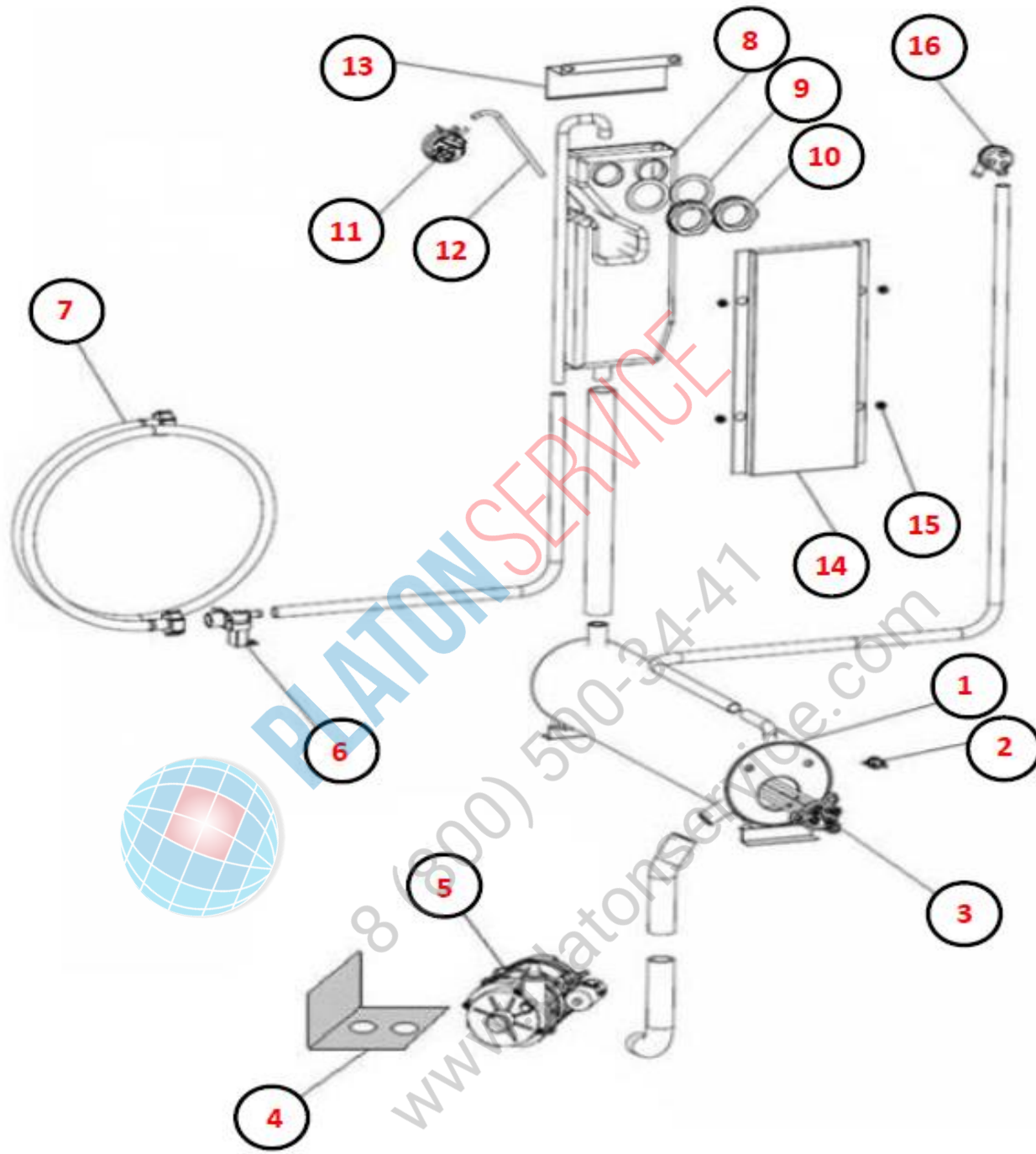


PLATON SERVICE
8 (800) 500-34-41
www.platonservice.com

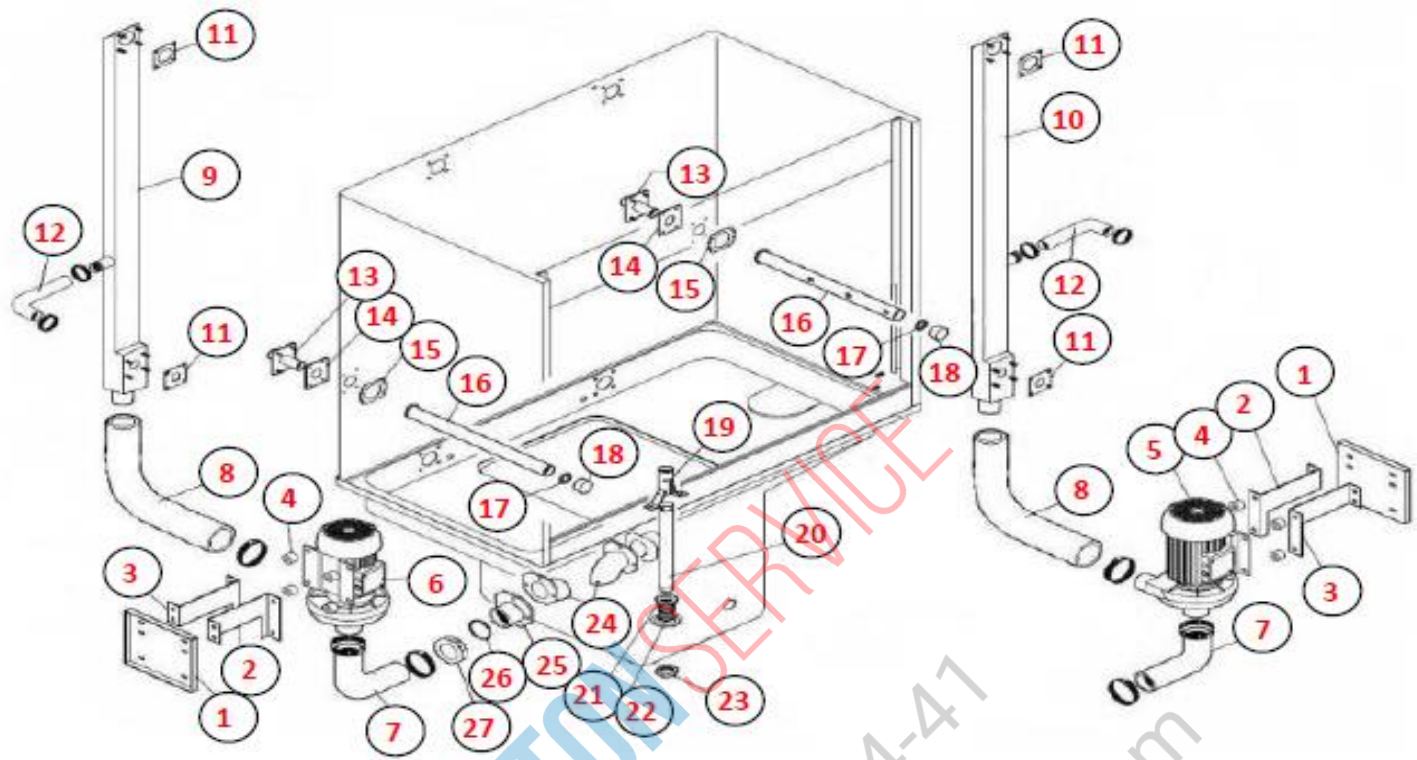
| POS | CODE | DESCRIZIONE | DESCRIPTION | NR |
|-----|--------|--|---|----|
| 1 | 903651 | MAGNETE + CUSTODIA FRONTALI | MAGNET + CONTAINER DISHWASHER | 1 |
| 2 | TR0931 | BLOCCHETTO TIRANTE PORTA LPN | TIE-ROD DOOR BLOCK LPN | 2 |
| 3 | 905941 | RONDELLA Ø10 G. | WASHER Ø10 G. | 1 |
| 4 | 902022 | DADO 10 | NUT 10 | 2 |
| 5 | TR0943 | TIRANTE PORTA LP67/LP109 H=850MM | DOOR TIE-ROD LP67/LP109 H=850MM | 2 |
| 6 | TR2219 | PARASPRUZZI DX LP67-109 H=850MM COMPL. | SPLASHBACKS RH LP67-109 H=850MM COMPLETE | 1 |
| 7 | TR2181 | PARASPRUZZI SX LP67-109 H=850MM COMPL. | SPLASHBACKS LH LP67-109 H=850MM COMPL. | 1 |
| 8 | TR0616 | PIASTRINA GIUNZIONE MOLLA LP | CONNECTOR PLATE FOR SPRING LP | 2 |
| 9 | TR2008 | SQUAD. FISS. GUIDE TRAINO 2011 | FASTENING BRACKET FOR GUIDES RACK CONVEYOR 2011 | 2 |
| 10 | 908704 | CUSCINETTO CON PERNO N1000/N1300/LP | BEARING WITH PIVOT N1000/N1300/LP | 4 |
| 11 | TR2246 | PORTA SUP. LP109 H=850MM | UPPER PANEL LP109 H=850MM | 1 |
| 12 | TR3375 | TEGOLINO LP109 STAMPATA | MOULDED COVER LP109 | 1 |
| 13 | TR3376 | TRAV. SUPP. MOLLE LP109 COMPL. | UPPER SPRING BAR LP109 COMPL. | 1 |
| 14 | TR2244 | PANN. POST. SX LP109 H=850MM | LH BACK PANEL LP109 H=850MM | 1 |
| 15 | TR2245 | PANN. POST. DX LP109H =850MMM | RH BACK PANEL LP109 H=850MM | 1 |
| 16 | TR1405 | CAPPOTTA LP109B H850 COMPL | HOOD LP109B H850 COMPL | 1 |
| 17 | TR1863 | SUPP. CON MOLLA PORTA LP109 COMPL. | DOOR SPRING SUPPORT DOOR LP109 COMPLETE | 2 |
| 18 | 906215 | MANIGLIA ALLUMINIO SATINATA PORTA 2019 315mm | HANDLE ALUMINIUM SATINATED DOOR 2019 315mm | 1 |



| POS | CODE | DESCRIZIONE | DESCRIPTION | NR |
|-----|--------|---------------------------------------|---|----|
| 1 | TR1145 | BOILER LP67B-LP109B CON SFIATO | BOILER LP67B-LP109B WITH VENT | 1 |
| 2 | 907297 | TERMOSTATO SICUR. 110° PASTIGLIA | SAFETY THERMOSTAT 110° PADDLE | 1 |
| 3 | TR0347 | RESIST. BOILER 14KW 230V +OR | BOILER HEATING ELEMENT 14KW 230V +OR | 1 |
| 4 | TR3572 | SUPP. POMPA DOPPIO RISCIACQUO | PUMP SUPPORT PRE RINSE | 1 |
| 5 | 902241 | POMPA RISCIACQUO CRC-R DX | RINSE PUMP CRC-R RH | 1 |
| 6 | 902390 | ELETTROV. 1 VIA Ø10 | 1-WAY SOLENOID VALVE Ø10 | 1 |
| 7 | 907347 | TUBO CARICO 90° 2000MM S 800 HW | WATER LOAD HOSE 90° 2000MM S 800 HW | 1 |
| 8 | 908794 | BREAK TANK BE 50 | BREAK TANK BE 50 | 1 |
| 9 | 903325 | GUARN. RACC. BREAK TANK | JUNCTION GASKET BREAK TANK | 2 |
| 10 | 902082 | GHIERA 1" 1/4 ASPIR./SCAR. RIBASSATA | FERRULE 1" 1/4 ASPIRATION/DRAIN | 2 |
| 11 | 905275 | PRESSOSTATO 35/90 | PRESSURE SWITCH 35/90 | 1 |
| 12 | 907279 | TUBO SILICONE 4X7 | SILICONE HOSE 4X7 | 1 |
| 13 | 900026 | COPERT. INOX PARASPRUZZI BREAK TANK | STAINLESS-STEEL COVERING SPLASHBACKS, BREAK TANK | 1 |
| 14 | 900008 | COPERT. INTERNA BREAK TANK PPH CAPOTE | INSIDE COVER FOR BREAK TANK PPH HOOD | 1 |
| 15 | 902132 | GHIERA FISSAGGIO PANNELLO SUPERIORE | FASTENING FERRULE, UPPER PANEL | 4 |
| 16 | TR2433 | VALVOLA ANTIRITORNO | NON-RETURN VALVE | 1 |

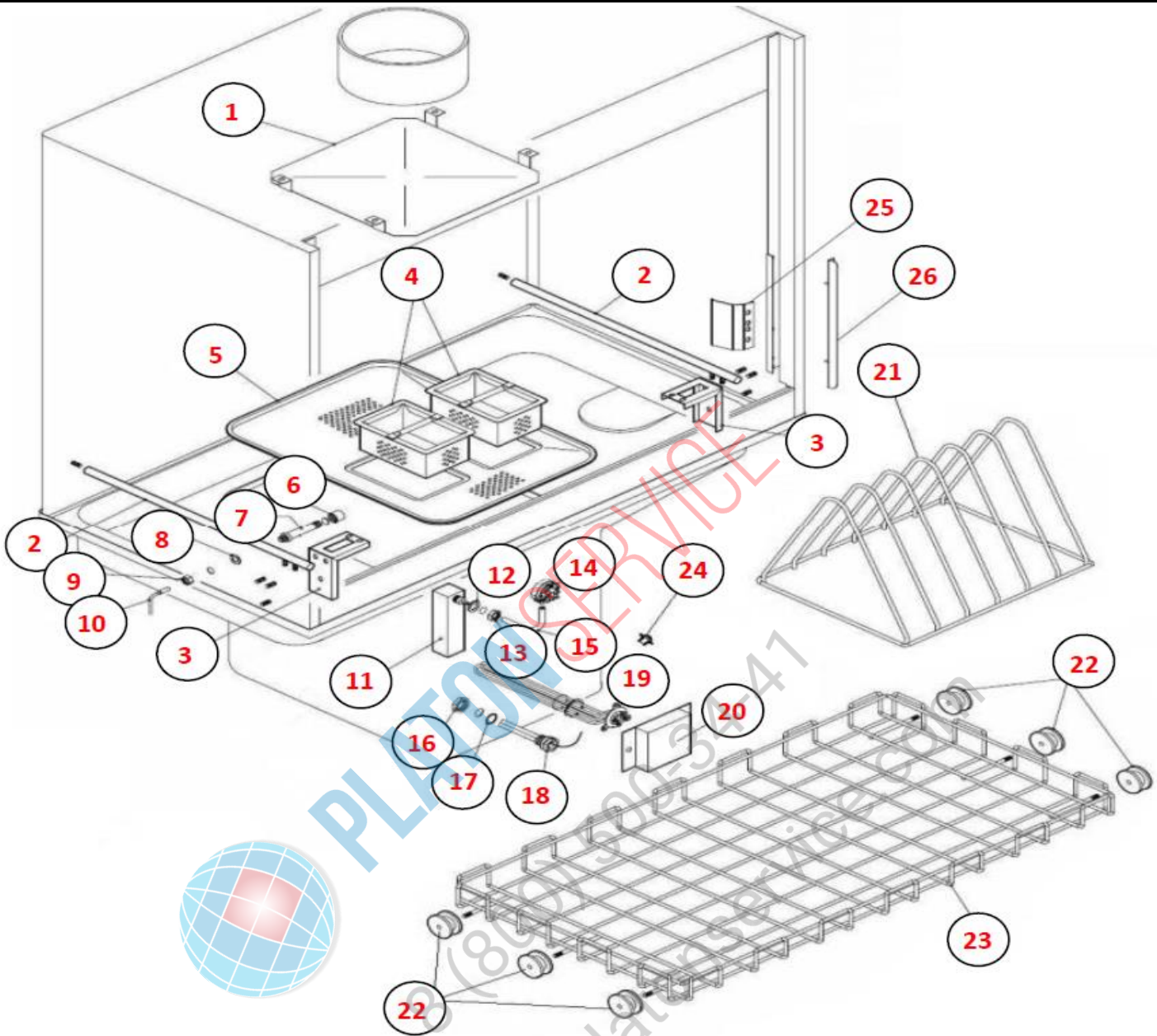


| POS | CODE | DESCRIZIONE | DESCRIPTION | NR |
|-----|--------|--|--|----|
| 1 | TR0630 | PIASTRA SUPP. POMPA PL-LAV-PR T-N | PUMP-SUPPORT PLATE PL-LAV-PR T-N | 2 |
| 2 | TR3374 | SUPP. POMPA SX LPN | PUMP SUPPORT LH LPN | 2 |
| 3 | TR3373 | SUPP. POMPA DX LPN | PUMP SUPPORT RH LPN | 2 |
| 4 | 905017 | ANTIVIBRANTE CILINDRICO 30X20 | ANTI-VIBRATION CYLINDER 30X20 | 8 |
| 5 | TR0080 | POMPA 2KW 400/3/50 DX LPN109/T | PUMP 2KW 400/3/50 RH LPN109/RACK CONVEYOR | 1 |
| 6 | TR0079 | POMPA 2KW 400/3/50 SX LPN109/T | PUMP 2KW 400/3/50 LH LPN109/RACK CONVEYOR | 1 |
| 7 | 903701 | MANICOTTO ASP. E1000/N1000/N1300/TRAINO | ASPIRATION SLEEVE E1000/N1000/N1300/RACK CONVEYOR | 2 |
| 8 | TR2309 | MANICOTTO MANDATA LAV. TRAINO SERIE N | INLET SLEEVE WASH RACK CONVEYOR MODEL N | 2 |
| 9 | TR3687 | COLONNA LAV. LPN109 SX | LH WASH COLUMN LPN109 | 1 |
| 10 | TR3686 | COLONNA LAV. LPN109 DX | RH WASH COLUMN LPN109 | 1 |
| 11 | 903381 | GUARN. 85X85 COL. LAV. | GASKET 85X85 WASH COLUMN | 2 |
| 12 | 903721 | MANICOTTO MANDATA SUP. N19 | UPPER INLET SLEEVE N19 | 2 |
| 13 | TR3647 | SUPP. BRACCIO LAV. LAT. LPN | SIDE-WASH-ARM SUPPORT LPN | 2 |
| 14 | TR3571 | GUARN. FLANGIA BRACCIO LAT. LPN67/LPN109 | GASKET FLANGW SIDE ARM LPN67/LPN109 | 2 |
| 15 | TR2091 | CONTROFL. FISS. TUBO LAV. T-N | FIXING COUNTERFLANGE FOR WASH HOSE T-N | 2 |
| 16 | TR3513 | BRACCIO LAV. LAT. LPN67/LPN109 | LATERAL WASH ARM LPN67/LPN109 | 2 |
| 17 | TR2051 | GUARN. TAPPO BRACCI LAV. T-N MOPLEN | GASKET WASH ARMS CAP - RACK/FLIGHT CONVEYOR MOPLEN | 2 |
| 18 | TR3230 | TAPPO BRACCIO LAV. INOX T-N | CAP FOR STAINLESS-STEEL RINSE ARM T-N | 2 |
| 19 | TR0464 | GUIDA TROPPOPIENO INOX T-N-LP | GUIDE OVERFLOW STAINLESS-STEEL T-N-LP | 1 |
| 20 | TR0939 | TROPPO PIENO 450MM T INOX | STAINLESS-STEEL OVERFLOW CAP 450MM T | 1 |
| 21 | 905450 | RACC. SC. 1" 1/4 | CONNECTION SC. 1" 1/4 | 1 |
| 22 | 904380 | OR 1"1/4 RACC. ASPIR./SCAR. | OR 1"1/4 ASPIRATION/DRAIN JUNCTION | 1 |
| 23 | 902080 | GHIERA 1"1/4 ASPIR./SCAR. | FERRULE 1"1/4 ASPIRATION/DRAIN | 1 |
| 24 | TR0977 | RACC. ASPIR. 90° INT. VASCA | RIGHT-ANGLE CONNECTION INSIEDE ASPIRATION TANK | 1 |
| 25 | TR0098 | RACC. ASPIR. TRAINO - NASTRO - LP | ASPIRATION CONNECTION FLIGHT/RACK CONVEYOR LP | 1 |
| 26 | TR0115 | OR RES. FLANG. 9/10/12/14 KW | OR FLANGE HEATING ELEMENT 9/10/12/14 KW | 1 |

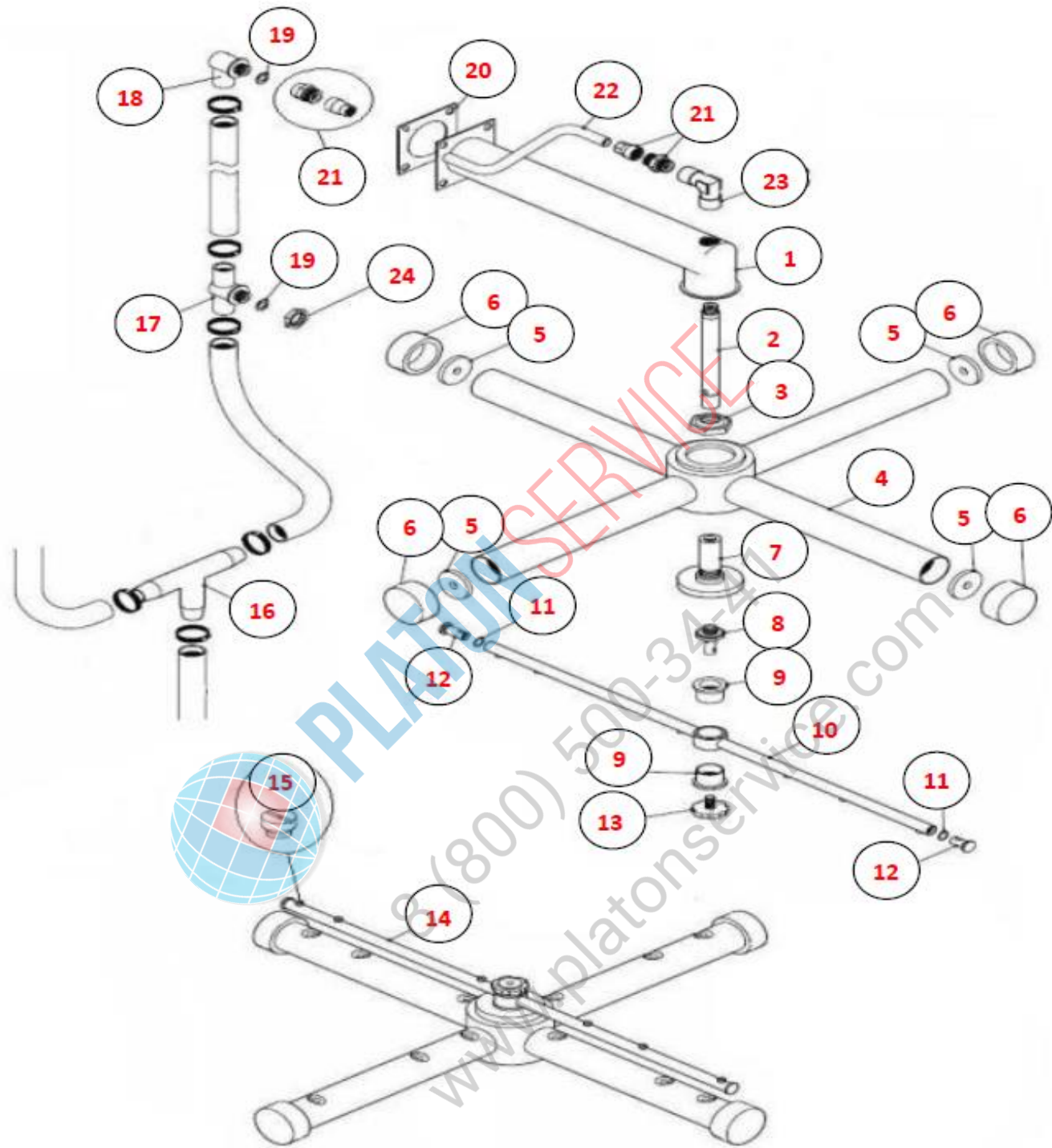


PLATON SERVICE
8 (800) 500-34-47
www.platonservice.com

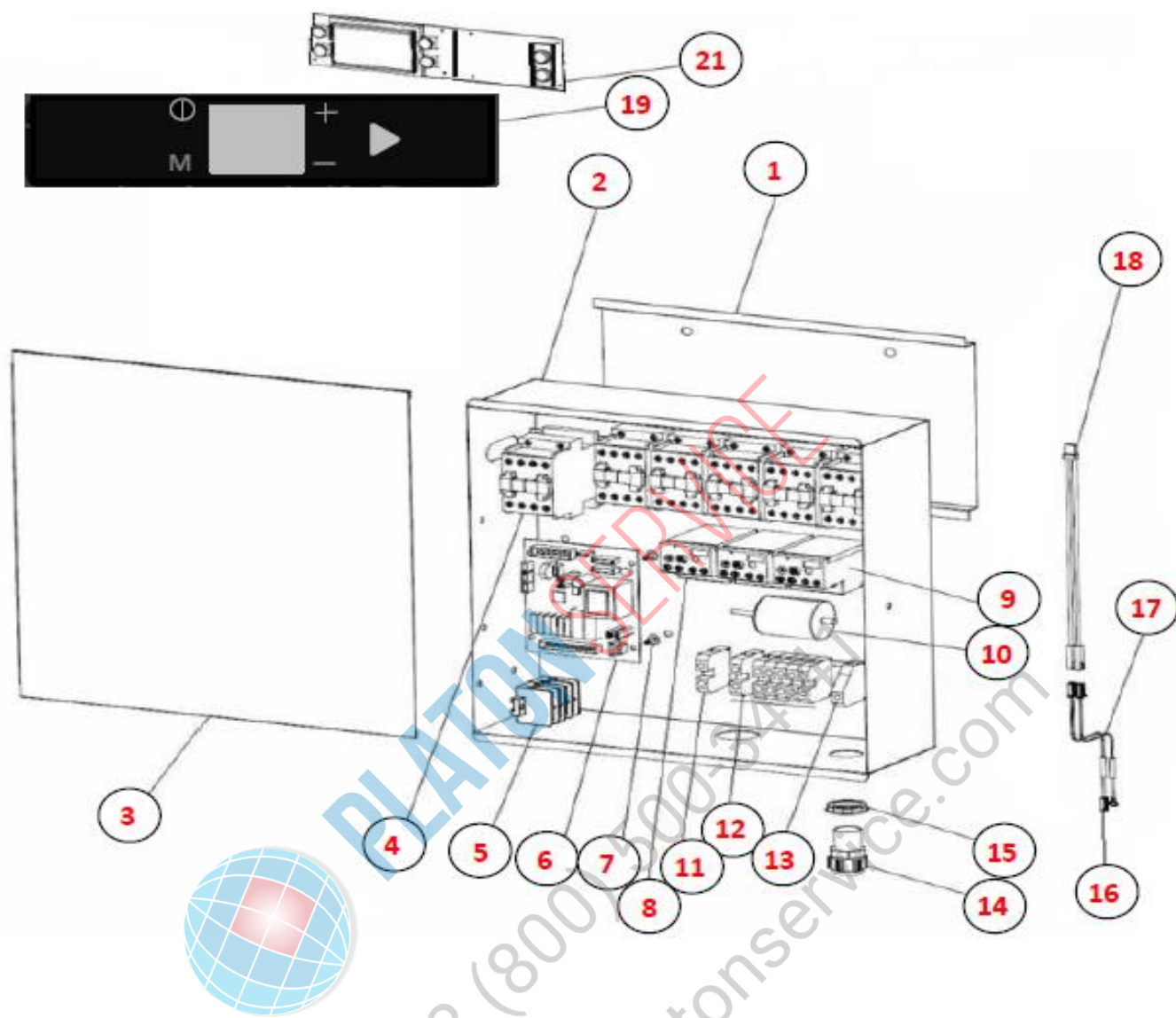
| POS | CODE | DESCRIZIONE | DESCRIPTION | NR |
|-----|--------|--|--|----|
| 1 | TR0922 | PARASPRUZZI SUP. LPN109 | TOP SPLASHBACKS LPN109 | 1 |
| 2 | TR3656 | GUIDA PORTACESTELLO LPN109 | GUIDE BASKET SUPPORT LPN109 | 2 |
| 3 | 955784 | SUPP. GUIDA CESTELLI LPN | BASKET-GUIDE SUPPORT LPN | 2 |
| 4 | 906704 | FILTRO A CASSETTO N1000/N1300/LP57 | DRAWER FILTER N1000/N1300/LP57 | 2 |
| 5 | TR3602 | FILTRO SUPERF. LP N109-TRAINO STAMPATA | SURFACE FILTER LP N109-RACK CONVEYOR | 1 |
| 6 | 906453 | TAPPO GIRANTE RISC. INOX | CAP FOR STAINLESS-STEEL RINSE ARM | 1 |
| 7 | TR0995 | MICRO PORTA LPN67/LPN109 | MICRO DOOR LPN67/LPN109 | 1 |
| 8 | 903410 | GUARN. FIBRA ASTA RISC. | FIBRE RINSE SHAFT GASKET | 1 |
| 9 | 902104 | DADO OTTONE 3/8" NICHELATO | NICKEL-PLATED BRASS NUT 3/8" | 1 |
| 10 | TR0309 | REED MAGNETICO T-N (INOX) | MAGNETIC REED T-N (STAINLESS STEEL) | 1 |
| 11 | TR0935 | TRAPPOLA ARIA INOX 260MM LPN | AIR TRAP INOX 260MM LPN | 1 |
| 12 | 903260 | GUARN. 3/8" TR. ARIA | GASKET 3/8", AIR TRAP | 1 |
| 13 | 902104 | DADO OTTONE 3/8" NICHELATO | NICKEL-PLATED BRASS NUT 3/8" | 1 |
| 14 | 905200 | PRESSOSTATO 70/197 | PRESSURE SWITCH 70/197 | 1 |
| 15 | 907279 | TUBO SILICONE 4X7 | SILICONE HOSE 4X7 | 1 |
| 16 | 902061 | GHIERA MOPLN 1/2" PORTABULBO | FERRULE MOPLN 1/2", PROBE SUPPORT | 1 |
| 17 | 903250 | GUARN. 1/2" PORTABULBO | GASKET 1/2" PROBE SUPPORT | 1 |
| 18 | 905192 | PORTABULBO VASCA 1/2" RIBASSATO | TANK BULB HOLDER 1/2" LOWERED | 1 |
| 19 | 905570 | RESIST. BOILER 6KW 230V +OR | BOILER HEATING ELEMENT 6KW 230V +OR | 1 |
| 20 | TR1037 | COPRIRESISTENZA INOX VASCA T-N | STAINLESS-STEEL POWER-ELEMENT COVER FOR TANK T-N | 1 |
| 21 | TR0926 | PORTA TEGLIE TRIANGOLARE LP67/LP109 | TRIANGLE-SHAPED TRAY TROLLEY LP67/LP109 | 6 |
| 22 | TR3229 | RUOTA CESTELLO LP67/LP109 | BASKET WHEEL LP67/LP109 | 1 |
| 23 | TR1126 | CESTO LPN109 | BASKET LPN109 | 1 |
| 24 | 907243 | TERMOSTATO SICUR. 95° PASTIGLIA | SAFETY THERMOSTAT 95° PADDLE | 1 |
| 25 | 908736 | SQUAD. INVITO CESTO LPN67/LPN109 | BASKET GUIDE BRACKET LPN67/LPN109 | 1 |
| 26 | 955785 | SGOCCIOLATOIO LPN | SPASHBACKS LPN | 1 |



| POS | CODE | DESCRIZIONE | DESCRIPTION | NR |
|-----|--------|--|--|----|
| 1 | 908732 | BRACCIO LAV. LPN67/LPN109 | WASH ARM LPN67/LPN109 | 1 |
| 2 | 908735 | PERNO LAV. LPN67/LPN109 | PIVOT WASH LPN67/LPN109 | 1 |
| 3 | 902890 | GHIERA MOPLEN MOZZO GIRANTE LAV. N1300 | MOPLEN FERRULE HUB WASH ARM N1300 | 1 |
| 4 | TR0994 | GIRANTE LAV. SUP. INF. LPN109 | UPPER/LOWER WASH ARM LPN109 | 1 |
| 5 | 903404 | GUARN. BRACCI LAV. T-N INOX | STAINLESS-STEEL GASKET WASH ARMS RACK/FLIGHT CONVEYOR | 4 |
| 6 | TR3230 | TAPPO BRACCIO LAV. INOX T-N | CAP FOR STAINLESS-STEEL RINSE ARM T-N | 4 |
| 7 | 904281 | MOZZO GIRANTE LAV. LP DELRIN | HUB WASH ARM LP DELRIN | 1 |
| 8 | 904762 | PERNO GIRANTE RISC. LPN | PIVOT RINSE ARM LPN | 1 |
| 9 | 900530 | BUSSOLA GIRANTE RISCIAQUO LP | RINSE ARM BEARING LP | 1 |
| 10 | TR0894 | GIRANTE RISC. LP109 | RINSE ARM LP109 | 1 |
| 11 | 904321 | OR TAPPO GIRANTE RISC. | CAP OR RINSE ARM | 2 |
| 12 | 906450 | TAPPO GIRANTE LAV. R20/R23/R29 | CAP FOR WASH ARM R20/R23/R29 | 2 |
| 13 | 902880 | GHIERA FERMO GIRANTI | STOP FERRULE, ARMS | 1 |
| 14 | TR0902 | GIRANTE RISC. LP109 COMPL. | RINSE ARM LP109 COMPL. | 1 |
| 15 | TR0002 | GETTO RISC. OVK TRAINO LT.280 | JET RINSE OVK RACK CONVEYOR LT.280 | 6 |
| 16 | 905382 | RACC. 3 VIE RISCIAQUO | THREE-WAY CONNECTION RINSE | 1 |
| 17 | 905407 | RACC. RISC. LP/LPN | RINSE CONNECTION LP/LPN | 1 |
| 18 | 907933 | RACC. RISC. POST. LP67/LP109 | BACK-RINSE CONNECTION LP67/LP109 | 1 |
| 19 | 904330 | OR 3/8" RISC. FREDDO/SUPP. MOZZO | OR 3/8" COLD RINSE/HUB SUPPORT | 2 |
| 20 | 903381 | GUARN. 85X85 COL. LAV. | GASKET 85X85 WASH COLUMN | 1 |
| 21 | 908121 | RACC. TUBO RISC.+ OGIVA E1000/N1000 | CONNECTION RINSE HOSE.+ OGIVE E1000/N1000 | 2 |
| 22 | 908888 | TUBO FORAFLOX 10X8 | FORAFLOX HOSE 10X8 | 1 |
| 23 | 908120 | RACC. GOMITO 1/4" LPN | ELBOW CONNECTION 1/4" LPN | 1 |
| 24 | 902104 | DADO OTTONE 3/8" NICHELATO | NICKEL-PLATED BRASS NUT 3/8" | 1 |



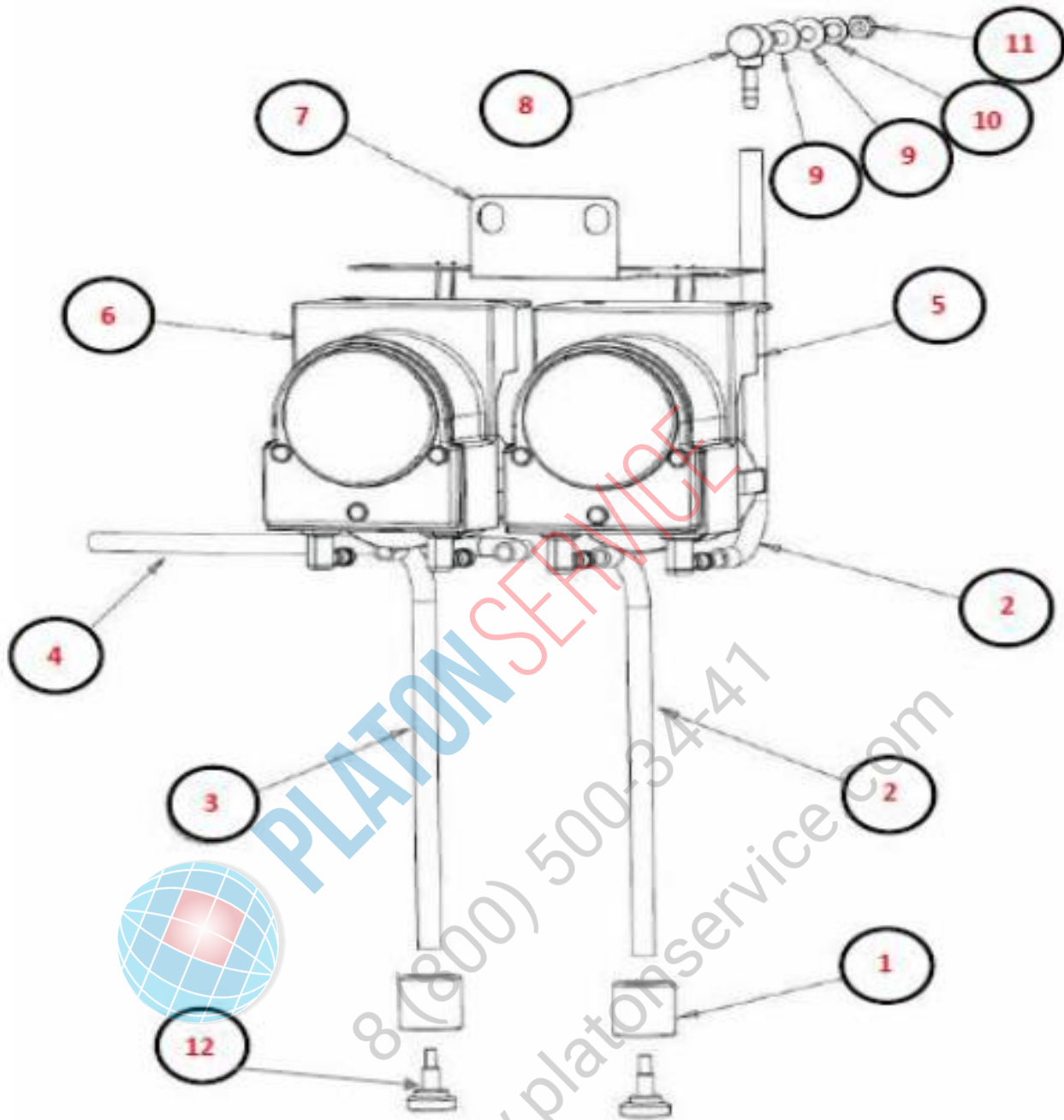
| POS | CODE | DESCRIZIONE | DESCRIPTION | NR |
|-----|--------|--|--|----|
| 1 | TR3372 | SLITTA PER CASSETTA ELETTRICA LP STAMP. | SLIDE PLATE FOR ELECTRIC BOX LP MOULDED | 0 |
| 2 | TR3658 | CASSETTA ELETT. LPN109 | ELECTRIC BOX LPN109 | 1 |
| 3 | TR3667 | COPERCHIO CASS. ELETTR. LPN109 | ELECTRIC BOX TOP PANEL LPN109 | 1 |
| 4 | TR0322 | TELERUTTORE 9A 230V 4 CONTATTI | CONTACTOR 9A 230V 4 CONTACTS | 6 |
| 5 | 904167 | MORSETTO QUADRIPOLORE CON SPALLA | 4-POLE CLAMP WITH BRACKET | 1 |
| 6 | 907398 | SCHEDA EVO2/3 BASE ELCA 12 RELE | BASE BOARD EVO2/3 12 RELAY | 1 |
| 7 | 909366 | DISTANZIALE SCHEDA FRONTALE H=10MM | FRONT BOARD SPACER H=10MM | 4 |
| 8 | TR0386 | TERMICA 1/1.6 A LOVATO | THERMIC SWITCH 1/1.6 A LOVATO | 1 |
| 9 | TR0400 | TERMICA 4/6 A | THERMIC SWITCH 4/6 A | 4 |
| 10 | 902107 | FILTRO ANTIDISTURBO TRIFASE | THREE-PHASED ANTINOISE FILTER | 1 |
| 11 | 904163 | MORSETTO 1P 16MM TERRA | CLAMP 1P 16MM EARTH | 1 |
| 12 | 904166 | MORSETTO 1P 16MM | CLAMP 1P 16MM | 1 |
| 13 | TR0344 | FLANGIA CHIUSURA MORSETTO | FLANGE CLOSING CLAMP | 1 |
| 14 | TR0136 | PRESSACAVO PG21 | CABLE GLAD PG21 | 1 |
| 15 | TR0138 | GHIERA PRESSACAVO PG21 | FERRULE CAGLE GLAND PG21 | 1 |
| 16 | 900541 | SONDA NTC A BULBO EVO2/3 ELCA | BULB PROBE NTC EVO2/3 ELCA | 1 |
| 17 | 900543 | SONDA NTC AD OCCHIELLO EVO 2/3 ELCA | PROBE EYE NTC EVO2/3 ELCA | 1 |
| 18 | 905432 | CAVO TELEFONTINO SCHEDA EVO2/3 ELCA L=1500MM | PHONE CABLE FOR PLATE EVO2/3 ELCA L=1500MM | 1 |
| 19 | 900519 | TARGA EVO2 LCD NEUTRA | PLATE EVO2 LCD NEUTRAL | 1 |
| 20 | 907316 | SCHEDA EVO2 FRONTALE ELCA 12 RELE | FRONT BOARD EVO2 12 RELAY | 1 |



| POS | CODE | DESCRIZIONE | DESCRIPTION | NR |
|-----|--------|--|--|----|
| 1 | 906620 | PESO TUBETTO DET./BRILL. | WEIGHT RINSE PRODUCT/ETERGENT HOSE | 2 |
| 2 | 907278 | TUBO CRYSTAL ROSSO 4X7 | TRASPARENT-RED HOSE 4X7 | 2 |
| 3 | 902046 | TUBO CRYSTAL TRASP. 4X7 | TRASPARENT HOSE 4X7 | 1 |
| 4 | 907279 | TUBO SILICONE 4X7 | SILICONE HOSE 4X7 | 1 |
| 5 | 902053 | DOSATORE DETERS. PERIST. SEKO SENZA REG. | PERISTALTIC DETERGENT PUMP WITHOUT REGULATOR | 1 |
| 6 | 902095 | DOSATORE BRILL. PERIST. SEKO SENZA REG. | PERISTALTIC RINSE-PRODUCT PUMP WITHOUT REGULATOR | 1 |
| 7 | 952820 | SUPP. DOS. PERISTALTICO DOPPIO | DOUBLE PERISTALTIC DOSING PUMP SUPPORT | 1 |
| 8 | 906708 | RACC. INOX ENTR. DETERSIVO VASCA ANT. | STAINLESS-STEEL FRONT INLET CONNECTION FOR DETERGENT IN TANK | 1 |
| 9 | 903253 | GUARN. RACC. DOS/SFIATO PS | GASKET DOSING UNIT/AIR VENT JUNCTION | 1 |
| 10 | 906010 | RONDELLA Ø5 P. | WASHER Ø5 P. | 1 |
| 11 | 902030 | DADO ATB 5 | NUT ATB 5 | 1 |
| 12 | 902569 | FILTRO DOSATORE | DOSING UNIT FILTER | 2 |



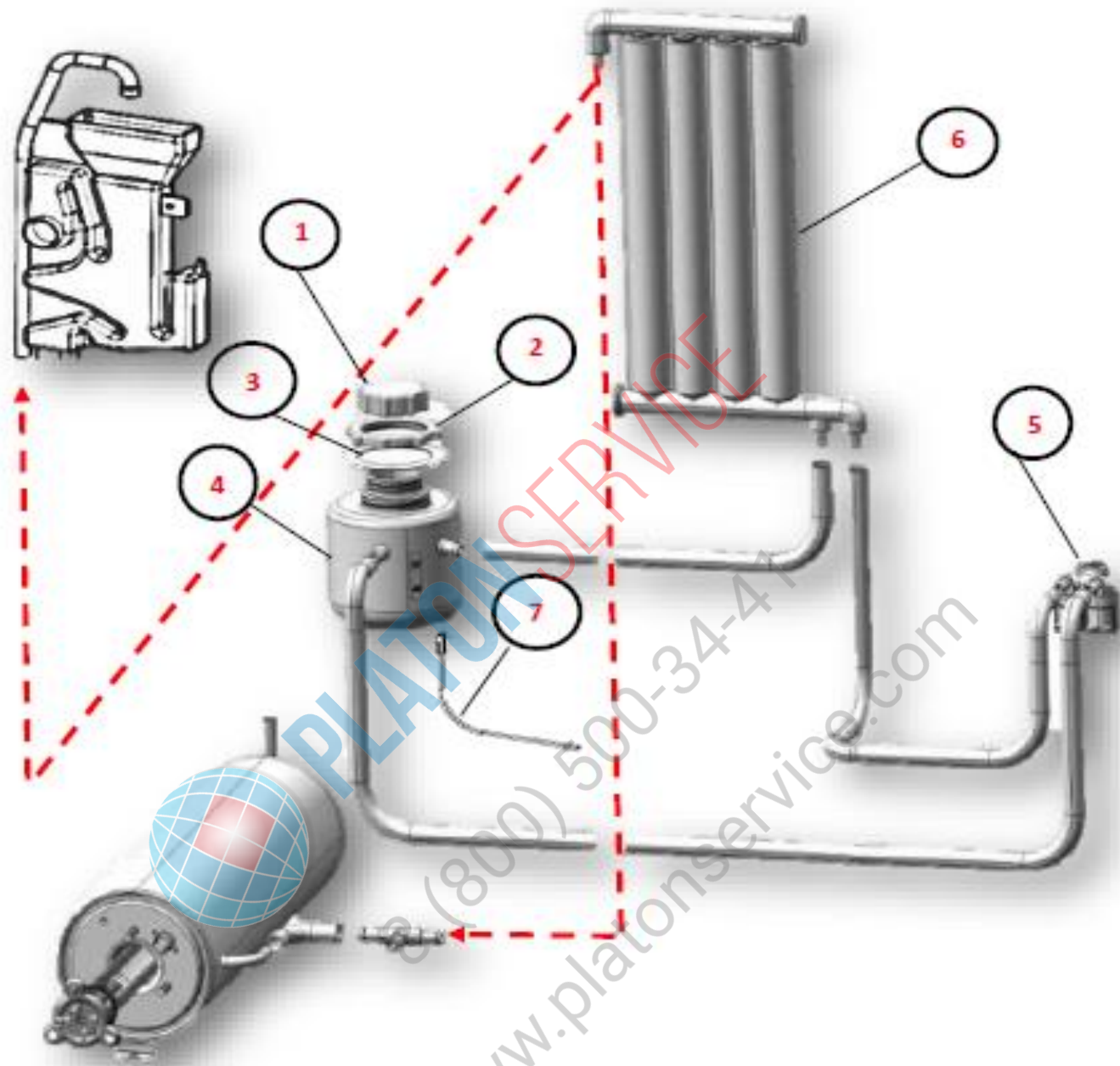
PLATON SERVICE
 8 (800) 500-34-41
 www.platonservice.com



| POS | CODE | DESCRIZIONE | DESCRIPTION | NR |
|-----|--------|---|--|----|
| 1 | 906418 | TAPPO CONTENITORE SALE | SALT-CONTAINER CAP | 1 |
| 2 | 902830 | GHIERA CONTENITORE SALE | FERRULE, SALT CONTAINER | 1 |
| 3 | 903340 | GUARN. CONTENITORE SALE | SALT CONTAINER GASKET | 1 |
| 4 | 901794 | CONTENITORE SALE CON SENSORE COMPLETO | COMPLETE SALT CONTAINER WITH SENSOR | 1 |
| 5 | 902401 | ELETTROV. 2 VIE Ø10 CON RIDUTTORE ROSSO | 2-WAYS SOLENOID VALVE Ø10 WITH RED REDUCER | 1 |
| 6 | 902150 | DECALCIFICATORE | SOFTENER | 1 |
| 7 | 907263 | CAVO CONNETTORE SALE 2000MM | CONNECTION CABLE FOR SALT 2000MM | 1 |

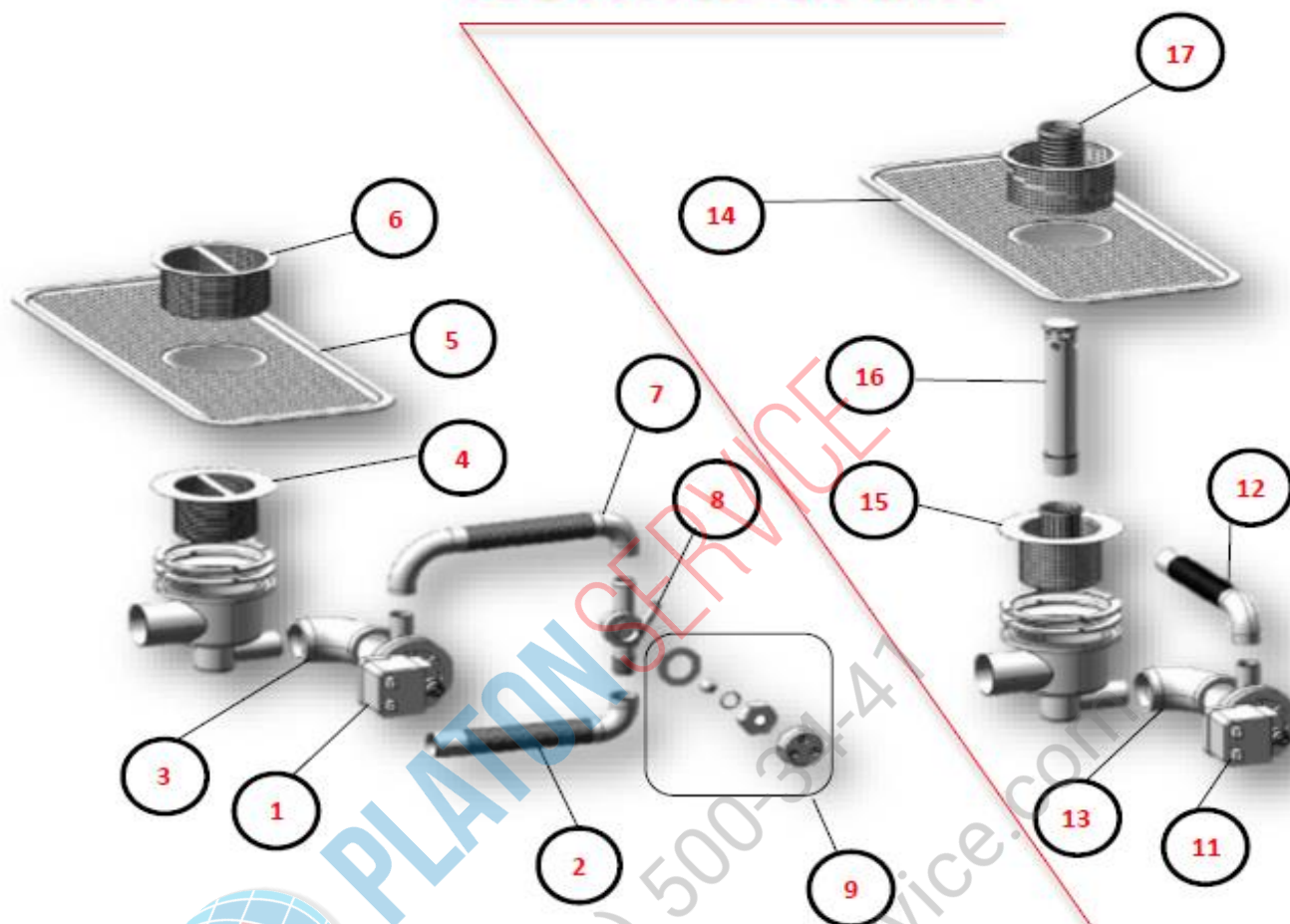


PLATON SERVICE
 8 (800) 500-34-41
www.platonservice.com



| POS | CODE | DESCRIZIONE | DESCRIPTION | NR |
|-----|--------|--|--|----|
| 1 | 902330 | POMPA SCARICO MAGNETICA 402X | MAGNETIC DRAIN PUMP 402X | 1 |
| 2 | 907439 | TUBO SCARICO Ø19 90° 2000MM PS + CURVA | DRAIN HOSE Ø19 90° 2000MM PS + BLEND | 1 |
| 3 | 903691 | MANICOTTO POMPA SCARICO N45-N50 | DRAIN PUMP SLEEVE N45-N50 | 1 |
| 4 | 904897 | FILTRO SENZA CILINDRO INOX Ø75MM | FILTER WITHOUT STAINLESS-STEEL BARREL Ø75MM | 1 |
| 5 | 906669 | FILTRO SUPERF. N45-N50 COMPLETO 2013 | SURFACE FILTER N45-N50 COMPLETE 2013 | 1 |
| 6 | 904898 | FILTRO SENZA CILINDRO INOX Ø98MM | FILTER WITHOUT STAINLESS-STEEL BARREL Ø98MM | 1 |
| 7 | 907445 | TUBO SCARICO Ø19 90° 760MM PS | DRAIN HOSE Ø19 90° 760MM PS | 1 |
| 8 | 907473 | VALVOLA TOP 40 COMPLETA | VALVE TOP 40 COMPLETE | 1 |
| 9 | TR2433 | VALVOLA ANTIRITORNO | NON-RETURN VALVE | 1 |
| | | | | |
| 11 | 902330 | POMPA SCARICO MAGNETICA 402X | MAGNETIC DRAIN PUMP 402X | 1 |
| 12 | 907439 | TUBO SCARICO Ø19 90° 2000MM PS + CURVA | DRAIN HOSE Ø19 90° 2000MM PS + BLEND | 1 |
| 13 | 903691 | MANICOTTO POMPA SCARICO N45-N50 | DRAIN PUMP SLEEVE N45-N50 | 1 |
| 14 | 906669 | FILTRO SUPERF. N45-N50 COMPLETO 2013 | SURFACE FILTER N45-N50 COMPLETE 2013 | 1 |
| 15 | 906624 | FILTRO CON CILINDRO INOX H80MM Ø75MM | FILTER WITH STAINLESS-STEEL BARREL H80MM Ø75MM | 1 |
| 16 | 907311 | TROPPO PIENO 217MM N45/N50/N90 PS MOPLN T.N. | OVERFLOW CAP 217MM N45/N50/N90 PS MOPLN T.N. | 1 |
| 17 | 904469 | FILTRO CON CILINDRO INOX H80MM Ø98MM | FILTER WITH STAINLESS-STEEL BARREL H80MM Ø98MM | 1 |
| | | | | |
| | | | | |
| | | | | |
| | | | | |
| | | | | |
| | | | | |
| | | | | |
| | | | | |
| | | | | |
| | | | | |
| | | | | |
| | | | | |
| | | | | |
| | | | | |

Normal drain



Automatic drain